

Product Information

Roller grips, Type 8464 Fmax 50 kN

CTA: 198663 40225



Roller grips type 8464 Fmax 50 kN, roller/clamping width 120 mm

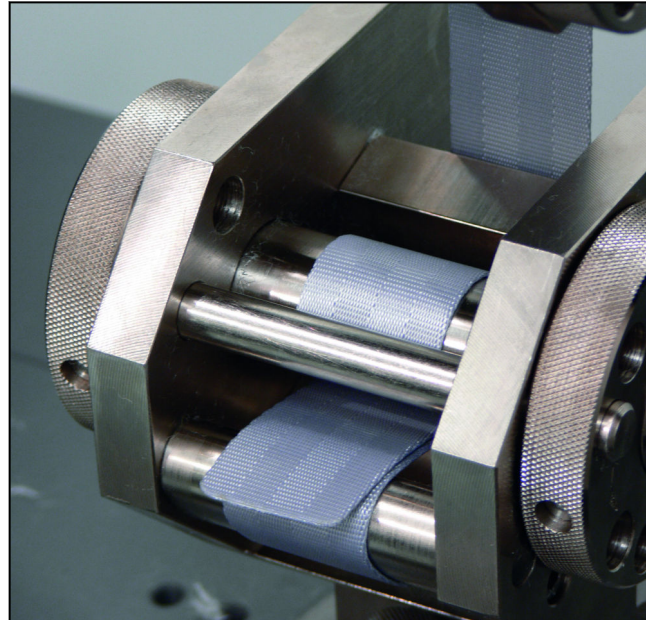
Applications

- Specimen material:
textiles
- Specimen shape:
strips (belt, strap)
- Type of loading:
tensile

Function description

These roller grips are used for testing tensile strip specimens.

In tests with these grips optical extensometers are used for accurate strain measurement.



Roller grips type 8464 Fmax 50 kN, roller/clamping width 60 mm

The self-clamping action of the grips is generated by multiple looping of the specimen and the application of tensile force.

The specimen is fed into the slotted roller via a load-reduction curve.

Advantages and Features

- Ergonomic design for fast, easy specimen insertion
- Low overall height of the specimen grips allows specimens with large elongations to be tested.
- Suitable for tests in temperature chambers
- The grips are suitable for clamping-sensitive specimens.

Product Information

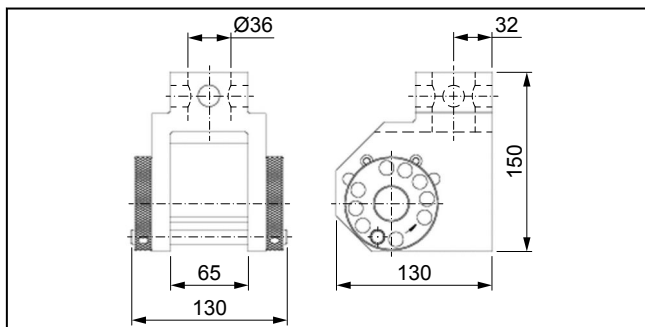
Roller grips, Type 8464 Fmax 50 kN

Technical data

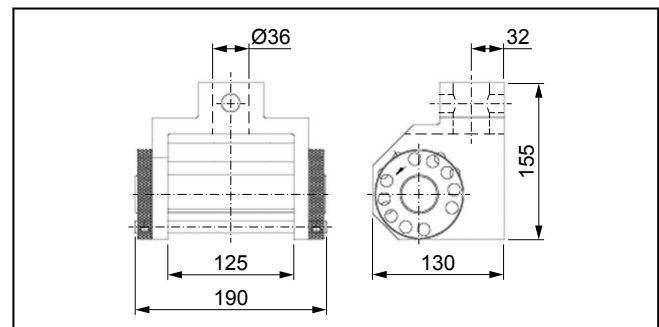
Item No.	313630 ¹⁾	316958 ¹⁾	
Type	8464	8464	
Test load F_{max}	50	50	kN
Dimensions			
Height	150	155	mm
Width	130	190	mm
Depth	130	130	mm
Roller diameter	30/100	38/100	mm
Roller width (= clamping width)	60	120	mm
Roller surface	Steel, smooth	steel, smooth	
Specimen thickness, max.	4	4	mm
Specimen length, min.	1000	1000	mm
Weight per grip unit, approx.	6.5	9	kg
Connection, mounting stud	Ø 36	Ø 36	mm
Ambient temperature	-40 to +250	-40 to +250	°C
Scope of delivery	2	2	pieces

1) Only in connection with load cell Xforce K

CTA: 40226 51687



Roller grips type 8464 Fmax 50 kN, roller/clamping width 60 mm



Roller grips type 8464 Fmax 50 kN, roller/clamping width 120 mm